

CCS Technical Documentation

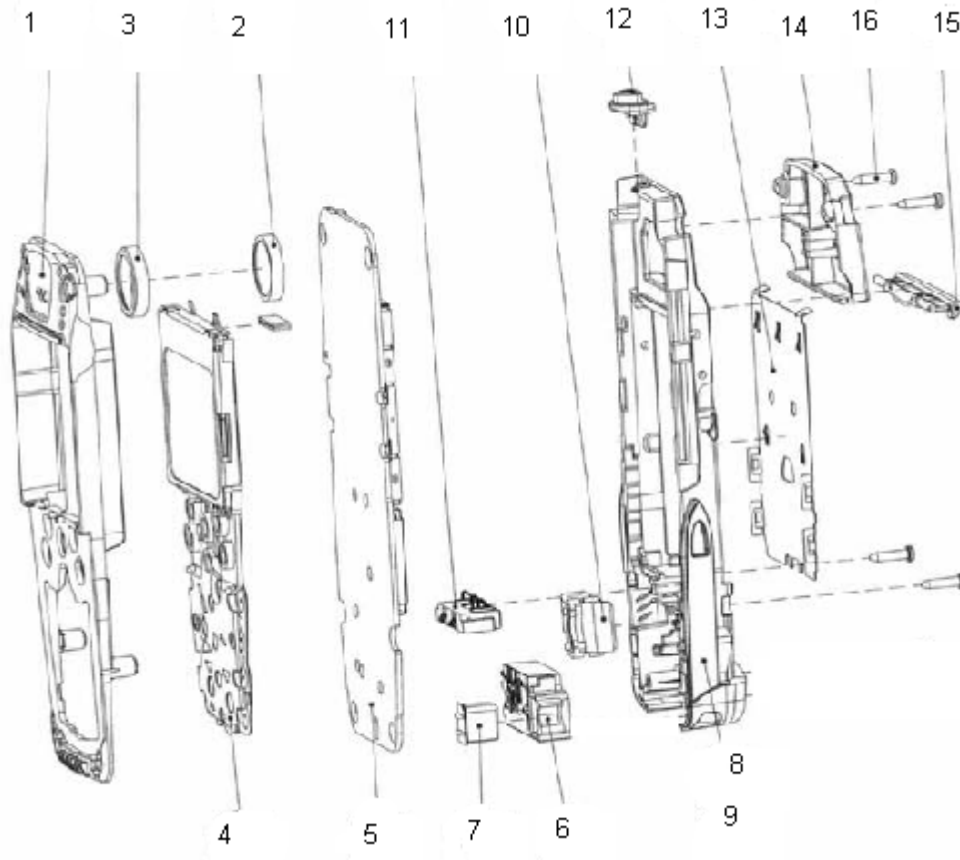
RH-40 Series Transceivers

Parts Lists

Contents

	Page No
Exploded View.....	5
Assembly Parts of Basic Transceiver RH-40	5
Component Layout — Top	7
Component Layout — Bottom.....	7
Parts Lists	8
RH-40 (2220) — EDMS Issue 3.0 Code: 0202138 (Reynosa)	8
RH-40 (2220) — EDMS Issue 3.0 Code: 0202139 (Manaus)	16

Exploded View

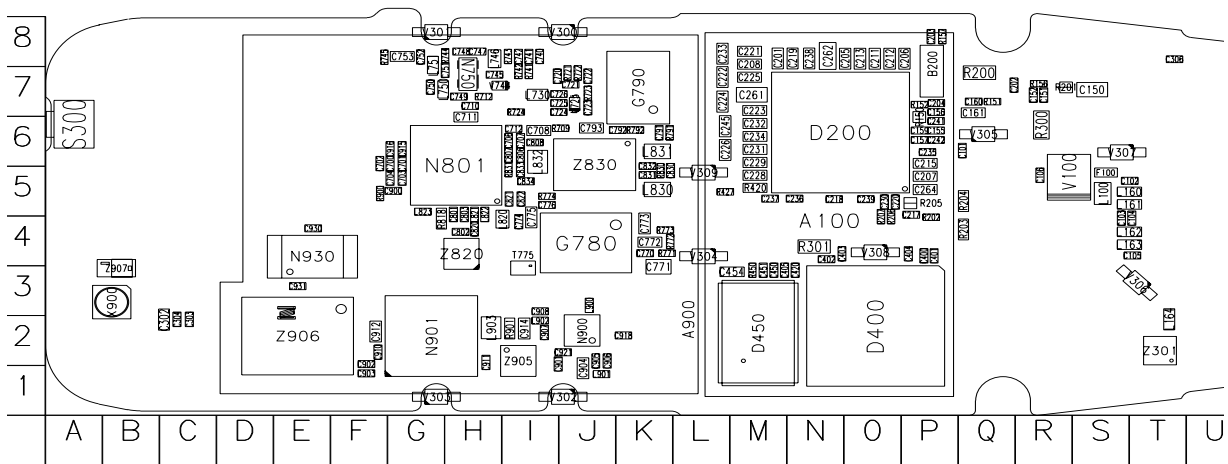


Assembly Parts of Basic Transceiver RH-40

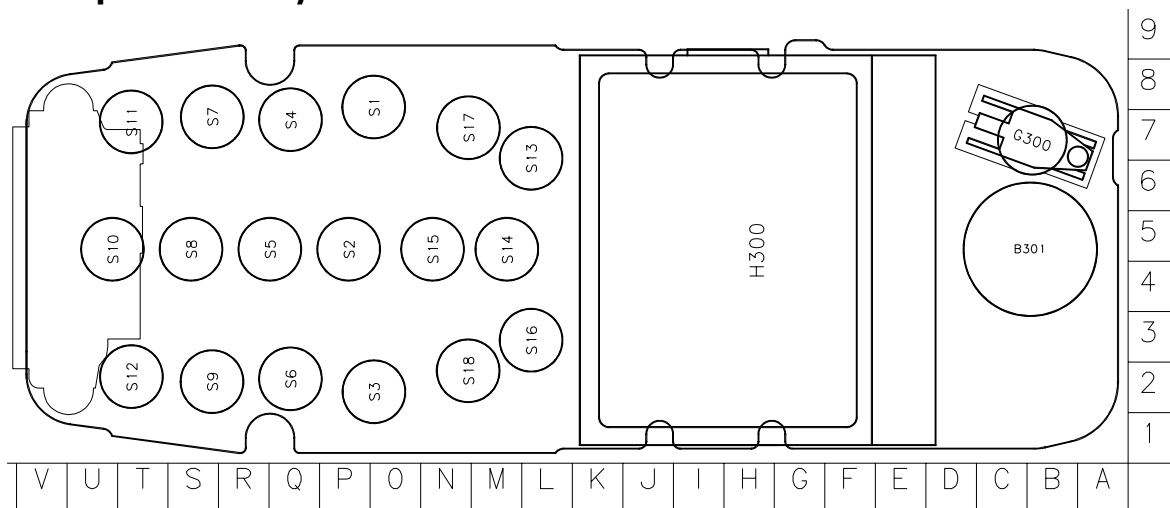
Item	Qty	Code	Description
1	1	9491481	C-cover Assembly
2	1	5140067	Speaker
3	1	9480570	Speaker gasket
4	1	4850139	LCD module Assembly
	1	6800049	Vibra Motor Assembly
6	1	0202138 (Reynosa) 0202139 (Manaus)	PWB
7	1	5460043	System connector Assembly
8	1	5140201	Microphone Assembly
9	1	9490264	D-cover Assembly
10	1	9452331	D-cover
11	1	5140203	Buzzer Assembly
12	1	5409143	Battery connector

Item	Qty	Code	Description
15	1	9451703	Power button/IR-WINDOW
16	1	9510561	Metal deck
17	1	0660220	Antenna Assembly
18	1	9451706	Battery latch
19	4	6290093	Screws

Component Layout – Top



Component Layout – Bottom



Parts Lists

RH-40 (2220) – EDMS Issue 3.0 Code: 0202138 (Reynosa)

Item	Code	Side	X	Y	Description	Value	Type
R150	1620031	Top	P	7	res network	0W06 2X1K0 J	0404
R151	1430778	Top	R	7	chip res	0W06 10K J	0402
R152	1430788	Top	P	7	chip res	0W06 22K J	0402
R156	1430762	Top	S	8	chip res	0W06 2K2 J	0402
R157	1430710	Top	Q	9	chip res	0W06 22R J	0402
R200	1414605	Top	Q	8	chip res	0W25 0R22 J	0805
R201	1620103	Top	S	8	res network	0W06 2X22R J	0404
R202	1430804	Top	Q	5	chip res	0W06 100K J	0402
R203	1430087	Top	Q	5	chip res	0W06 100K J	0603
R204	1430087	Top	Q	5	chip res	0W06 100K J	0603
R205	1620019	Top	P	5	res network	0W06 2X10K J	0404
R206	1430804	Top	P	5	chip res	0W06 100K J	0402
R207	1430804	Top	P	5	chip res	0W06 100K J	0402
R300	1411669	Top	S	7	chip res	0W1 22R J	0805
R301	1413829	Top	O	5	chip res	0W1 10R J	0805
R420	1430268	Top	N	6	chip res	0W06 27K F 100PPM	0603
R427	1430778	Top	M	6	chip res	0W06 10K J	0402
R450	1430770	Top	M	4	chip res	0W06 4K7 J	0402
R709	1430700	Top	J	7	chip res	0W06 10R J	0402
R712	1430700	Top	I	8	chip res	0W06 10R J	0402
R721	1430774	Top	J	8	chip res	0W06 6K8 J	0402
R722	1430772	Top	J	8	chip res	0W06 5K6 J	0402
R723	1430764	Top	K	8	chip res	0W06 3K3 J	0402
R724	1430691	Top	I	7	chip res	0W06 2R2 J	0402
R741	1430770	Top	J	8	chip res	0W06 4K7 J	0402
R742	1430772	Top	I	8	chip res	0W06 5K6 J	0402
R743	1430764	Top	I	8	chip res	0W06 3K3 J	0402
R744	1430744	Top	H	8	chip res	0W06 470R J	0402
R745	1430700	Top	G	8	chip res	0W06 10R J	0402

Item	Code	Side	X	Y	Description	Value	Type
R771	1430786	Top	L	4	chip res	0W06 18K J	0402
R772	1430726	Top	L	5	chip res	0W06 100R J	0402
R773	1430700	Top	L	5	chip res	0W06 10R J	0402
R774	1430700	Top	J	6	chip res	0W06 10R J	0402
R791	1430778	Top	L	7	chip res	0W06 10K J	0402
R792	1430700	Top	K	7	chip res	0W06 10R J	0402
R818	1430268	Top	H	5	chip res	0W06 27K F 100PPM	0603
R830	1430832	Top	L	6	chip res	0W06 2K7 J	0402
R831	1430734	Top	I	6	chip res	0W06 220R J	0402
R900	1430718	Top	G	6	chip res	0W06 47R J	0402
R901	1430169	Top	I	3	chip res	0W06 56R J	0603
C101	2320536	Top	Q	6	chip cap NPO	10P J 50V	0402
C102	2320756	Top	T	6	chip cap X7R	3N3 K 50V	0402
C103	2320756	Top	T	5	chip cap X7R	3N3 K 50V	0402
C104	2320756	Top	T	5	chip cap X7R	3N3 K 50V	0402
C105	2320756	Top	T	4	chip cap X7R	3N3 K 50V	0402
C106	2320744	Top	S	6	chip cap X7R	1N0 K 50V	0402
C150	2312243	Top	S	8	chip cap X5R	4U7 K 6V3	0805
C151	2320783	Top	S	8	chip cap X7R	33N K 10V	0402
C152	2320783	Top	R	8	chip cap X7R	33N K 10V	0402
C155	2320783	Top	Q	7	chip cap X7R	33N K 10V	0402
C156	2320783	Top	Q	7	chip cap X7R	33N K 10V	0402
C157	2320560	Top	P	7	chip cap NPO	100P J 50V	0402
C159	2320560	Top	P	7	chip cap NPO	100P J 50V	0402
C160	2320744	Top	Q	7	chip cap X7R	1N0 K 50V	0402
C161	2320481	Top	Q	7	chip cap X5R	1U K 6V3	0603
C201	2320481	Top	N	8	chip cap X5R	1U K 6V3	0603
C202	2320548	Top	R	8	chip cap NPO	33P J 50V	0402
C203	2320536	Top	Q	9	chip cap NPO	10P J 50V	0402
C204	2320536	Top	Q	7	chip cap NPO	10P J 50V	0402
C205	2320481	Top	O	8	chip cap X5R	1U K 6V3	0603
C206	2320481	Top	P	8	chip cap X5R	1U K 6V3	0603

Item	Code	Side	X	Y	Description	Value	Type
C207	2320481	Top	Q	6	chip cap X5R	1U K 6V3	0603
C208	2320481	Top	M	8	chip cap X5R	1U K 6V3	0603
C211	2320481	Top	P	8	chip cap X5R	1U K 6V3	0603
C212	2320481	Top	P	8	chip cap X5R	1U K 6V3	0603
C213	2320481	Top	O	8	chip cap X5R	1U K 6V3	0603
C215	2320481	Top	Q	6	chip cap X5R	1U K 6V3	0603
C217	2320778	Top	P	5	chip cap X7R	10N K 16V	0402
C218	2320805	Top	O	5	chip cap X5R	100N K 10V	0402
C219	2320139	Top	N	8	chip cap X5R	1U0 K 10V	0603
C220	2320744	Top	P	5	chip cap X7R	1N0 K 50V	0402
C221	2320481	Top	M	8	chip cap X5R	1U K 6V3	0603
C222	2320481	Top	M	8	chip cap X5R	1U K 6V3	0603
C223	2320481	Top	N	7	chip cap X5R	1U K 6V3	0603
C224	2320481	Top	M	7	chip cap X5R	1U K 6V3	0603
C225	2320481	Top	M	8	chip cap X5R	1U K 6V3	0603
C226	2320481	Top	M	6	chip cap X5R	1U K 6V3	0603
C228	2320481	Top	N	6	chip cap X5R	1U K 6V3	0603
C229	2320481	Top	N	6	chip cap X5R	1U K 6V3	0603
C230	2320778	Top	P	5	chip cap X7R	10N K 16V	0402
C231	2320481	Top	N	6	chip cap X5R	1U K 6V3	0603
C232	2320481	Top	N	7	chip cap X5R	1U K 6V3	0603
C233	2320481	Top	M	8	chip cap X5R	1U K 6V3	0603
C234	2320481	Top	N	7	chip cap X5R	1U K 6V3	0603
C235	2320805	Top	Q	6	chip cap X5R	100N K 10V	0402
C236	2320805	Top	N	5	chip cap X5R	100N K 10V	0402
C237	2320805	Top	N	5	chip cap X5R	100N K 10V	0402
C238	2320491	Top	N	8	chip cap X7R	220N K 10V	0603
C239	2320805	Top	O	5	chip cap X5R	100N K 10V	0402
C241	2320544	Top	Q	7	chip cap NPO	22P J 50V	0402
C242	2320544	Top	Q	7	chip cap NPO	22P J 50V	0402
C245	2320481	Top	M	7	chip cap X5R	1U K 6V3	0603
C261	2312243	Top	M	8	chip cap X5R	4U7 K 6V3	0805

Item	Code	Side	X	Y	Description	Value	Type
C262	2312243	Top	O	8	chip cap X5R	4U7 K 6V3	0805
C264	2320481	Top	Q	6	chip cap X5R	1U K 6V3	0603
C302	2320779	Top	C	3	chip cap X7R	100N K 16V	0603
C303	2320805	Top	D	3	chip cap X5R	100N K 10V	0402
C304	2320805	Top	C	3	chip cap X5R	100N K 10V	0402
C306	2320560	Top	U	8	chip cap NPO	100P J 50V	0402
C400	2320778	Top	P	4	chip cap X7R	10N K 16V	0402
C401	2320805	Top	Q	4	chip cap X5R	100N K 10V	0402
C402	2320778	Top	O	4	chip cap X7R	10N K 16V	0402
C403	2320778	Top	O	4	chip cap X7R	10N K 16V	0402
C404	2320778	Top	P	4	chip cap X7R	10N K 16V	0402
C405	2320778	Top	N	4	chip cap X7R	10N K 16V	0402
C420	2320744	Top	N	4	chip cap X7R	1N0 K 50V	0402
C450	2320778	Top	N	4	chip cap X7R	10N K 16V	0402
C451	2320805	Top	N	4	chip cap X5R	100N K 10V	0402
C454	2320779	Top	M	4	chip cap X7R	100N K 16V	0603
C700	2320552	Top	G	6	chip cap NPO	47P J 50V	0402
C701	2320536	Top	G	6	chip cap NPO	10P J 50V	0402
C702	2320805	Top	G	6	chip cap X5R	100N K 10V	0402
C703	2320536	Top	G	6	chip cap NPO	10P J 50V	0402
C704	2320805	Top	G	6	chip cap X5R	100N K 10V	0402
C706	2320552	Top	I	7	chip cap NPO	47P J 50V	0402
C707	2320744	Top	I	7	chip cap X7R	1N0 K 50V	0402
C708	2320481	Top	J	7	chip cap X5R	1U K 6V3	0603
C710	2320740	Top	I	7	chip cap X7R	680P K 50V	0402
C711	2320481	Top	H	7	chip cap X5R	1U K 6V3	0603
C712	2320552	Top	I	7	chip cap NPO	47P J 50V	0402
C720	2320588	Top	J	8	chip cap X7R	1N5 J 50V	0402
C721	2320783	Top	J	8	chip cap X7R	33N K 10V	0402
C722	2320588	Top	K	8	chip cap X7R	1N5 J 50V	0402
C723	2320522	Top	K	7	chip cap NPO	2P7 C 50V	0402
C724	2320548	Top	J	7	chip cap NPO	33P J 50V	0402

Item	Code	Side	X	Y	Description	Value	Type
C725	2320520	Top	J	7	chip cap NPO	2P2 C 50V	0402
C726	2320744	Top	J	8	chip cap X7R	1N0 K 50V	0402
C740	2320590	Top	J	8	chip cap X7R	1N8 J 50V	0402
C741	2320783	Top	J	8	chip cap X7R	33N K 10V	0402
C742	2320588	Top	I	8	chip cap X7R	1N5 J 50V	0402
C745	2320548	Top	I	8	chip cap NPO	33P J 50V	0402
C747	2320536	Top	I	8	chip cap NPO	10P J 50V	0402
C748	2320538	Top	H	8	chip cap NPO	12P J 50V	0402
C749	2320744	Top	H	8	chip cap X7R	1N0 K 50V	0402
C750	2320514	Top	H	8	chip cap NPO	1P2 C 50V	0402
C751	2320520	Top	H	8	chip cap NPO	2P2 C 50V	0402
C752	2320740	Top	H	8	chip cap X7R	680P K 50V	0402
C753	2320481	Top	G	8	chip cap X5R	1U K 6V3	0603
C770	2320580	Top	L	4	chip cap X7R	680P J 50V	0402
C771	2480003	Top	L	4	chip cap PPS	8N2 J 16V	0805
C772	2320495	Top	L	5	chip cap NPO	1N0 J 50V	0603
C773	2320466	Top	L	5	chip cap NPO	220P J 60V	0603
C774	2320536	Top	I	5	chip cap NPO	10P J 50V	0402
C775	2320481	Top	J	5	chip cap X5R	1U K 6V3	0603
C776	2320778	Top	J	5	chip cap X7R	10N K 16V	0402
C791	2320805	Top	L	7	chip cap X5R	100N K 10V	0402
C792	2320778	Top	K	7	chip cap X7R	10N K 16V	0402
C793	2320481	Top	K	7	chip cap X5R	1U K 6V3	0603
C801	2320552	Top	H	5	chip cap NPO	47P J 50V	0402
C802	2320778	Top	H	5	chip cap X7R	10N K 16V	0402
C803	2320536	Top	H	5	chip cap NPO	10P J 50V	0402
C806	2320552	Top	I	6	chip cap NPO	47P J 50V	0402
C807	2320536	Top	I	6	chip cap NPO	10P J 50V	0402
C808	2320805	Top	J	7	chip cap X5R	100N K 10V	0402
C820	2320552	Top	I	5	chip cap NPO	47P J 50V	0402
C821	2320552	Top	I	5	chip cap NPO	47P J 50V	0402
C822	2320805	Top	I	5	chip cap X5R	100N K 10V	0402

Item	Code	Side	X	Y	Description	Value	Type
C830	2320778	Top	L	6	chip cap X7R	10N K 16V	0402
C831	2320602	Top	L	6	chip cap NPO	4P7 C 50V	0402
C832	2320602	Top	L	6	chip cap NPO	4P7 C 50V	0402
C833	2320536	Top	I	6	chip cap NPO	10P J 50V	0402
C834	2320536	Top	J	6	chip cap NPO	10P J 50V	0402
C900	2320744	Top	G	6	chip cap X7R	1N0 K 50V	0402
C901	2320631	Top	J	2	chip cap NPO	180P J 25V	0402
C902	2320744	Top	G	2	chip cap X7R	1N0 K 50V	0402
C903	2320631	Top	G	2	chip cap NPO	180P J 25V	0402
C904	2320005	Top	K	2	chip cap NPO HQ	82P J 25V	0603
C905	2320546	Top	K	2	chip cap NPO	27P J 50V	0402
C906	2320546	Top	K	2	chip cap NPO	27P J 50V	0402
C907	2320536	Top	J	3	chip cap NPO	10P J 50V	0402
C908	2320744	Top	J	3	chip cap X7R	1N0 K 50V	0402
C910	2320744	Top	G	2	chip cap X7R	1N0 K 50V	0402
C911	2320778	Top	I	2	chip cap X7R	10N K 16V	0402
C912	2320481	Top	G	3	chip cap X5R	1U K 6V3	0603
C914	2320481	Top	I	3	chip cap X5R	1U K 6V3	0603
C915	2320536	Top	G	6	chip cap NPO	10P J 50V	0402
C916	2320805	Top	G	6	chip cap X5R	100N K 10V	0402
C918	2320744	Top	K	3	chip cap X7R	1N0 K 50V	0402
C921	2320744	Top	J	2	chip cap X7R	1N0 K 50V	0402
C930	2320536	Top	F	5	chip cap NPO	10P J 50V	0402
C931	2320744	Top	F	4	chip cap X7R	1N0 K 50V	0402
L100	3203743	Top	T	6	ferrite bead 0R03	42R/100MHz 3A	0805
L160	3203741	Top	T	6	ferrite bead 0R5	600R/100MHz	0603
L161	3203741	Top	T	5	ferrite bead 0R5	600R/100MHz	0603
L162	3203741	Top	T	5	ferrite bead 0R5	600R/100MHz	0603
L163	3203741	Top	T	5	ferrite bead 0R5	600R/100MHz	0603
L164	3203741	Top	U	3	ferrite bead 0R5	600R/100MHz	0603
L730	3545333	Top	J	8	chip coil 27N G	Q40/250MHz	0603
L746	3645331	Top	I	8	chip coil 47N G	Q38/200MHz	0603

Item	Code	Side	X	Y	Description	Value	Type
L750	3645145	Top	H	8	chip coil 39N J	Q12/100MHz	0603
L751	3645145	Top	H	8	chip coil 39N J	Q12/100MHz	0603
L820	3645211	Top	I	5	chip coil 6N8 K	Q27/250MHz	0603
L821	3646069	Top	I	5	chip coil 33N J	Q23/800MHz	0402
L822	3646063	Top	I	5	chip coil 22N J	Q28/800MHz	0402
L823	3646007	Top	H	5	chip coil 27N J	Q27/800MHz	0402
L830	3643087	Top	L	6	chip coil 180N J	Q13/50MHz	0805
L831	3643087	Top	L	6	chip coil 180N J	Q13/50MHz	0805
L832	3645067	Top	J	6	chip coil 330N J	Q48/250MHz	0805
L900	3646065	Top	K	3	chip coil 12N J	Q31/800MHz	0402
L901	3646083	Top	K	2	chip coil 100N J	Q16/300MHz	0402
L902	3646061	Top	J	3	chip coil 15N J	Q30/800MHz	0402
L903	3643085	Top	I	3	chip coil 5N6+-0N5	Q35 1.5A	0805
V100	4110028	Top	S	6	TVS DI 16V	600W 23A	DO214AA
V300	4860221	Top	J	9	LED LB M47C Blue	45-90MCD	@20MA
V301	4860221	Top	H	9	LED LB M47C Blue	45-90MCD	@20MA
V302	4860221	Top	J	2	LED LB M47C Blue	45-90MCD	@20MA
V303	4860221	Top	H	2	LED LB M47C Blue	45-90MCD	@20MA
V304	4860221	Top	M	4	LED LB M47C Blue	45-90MCD	@20MA
V305	4860221	Top	R	7	LED LB M47C Blue	45-90MCD	@20MA
V306	4860221	Top	T	4	LED LB M47C Blue	45-90MCD	@20MA
V307	4860221	Top	T	6	LED LB M47C Blue	45-90MCD	@20MA
V308	4860221	Top	P	4	LED LB M47C Blue	45-90MCD	@20MA
V309	4860221	Top	M	6	LED LB M47C Blue	45-90MCD	@20MA
V725	4110953	Top	J	7	Cap DI 1SV280	C2V/C10V=2.4	SOD523
V744	4110911	Top	I	8	Cap DI MA2SV01	15/7PF 1/3V	SOD523
N750	4210247	Top	I	8	RF Cascode AMP	BGA416 LNA	SOT143
N801	4370777	Top	H	6	Safari_T2 A807HEGT	BICMOS6M	LFBGA
N900	4341179	Top	K	3	Upconv 900MHz	(0M5968)	TSSOP10
N901	4350361	Top	H	3	Pw Amp	MC-7951	TDMA800
N930	4350267	Top	F	4	Pwr Detector Module	800/1900MHz	
D200	4370841	Top	O	7	UEM V6.0 W-DOG ENA	TO09L	TFBGA168

Item	Code	Side	X	Y	Description	Value	Type
D400	4370811	Top	P	3	UPP4M V2.4 F741809C	C05 ANAM	UBG
D450	4341439	Top	N	3	Flash 1MX16	1.8V/1.8V	TFGBA48
G780	4350279	Top	K	5	VCO 2GHz	2.78V 10.5MA	TDMA
G790	4510307	Top	K	8	VCTCXO 19.44MHz+-	2.5PPM 2.78V	
B200	4510303	Top	Q	8	Crystal 32.768KHz+-	20PPM 12.5PF	
Z301	4120031	Top	U	2	EMI/ESD Filt	EMIF10-1K010F1	BGA24
Z820	4511217	Top	H	4	Saw Filt 881.5+-12.5MHz/	3.5DB	3X3
Z830	4511209	Top	K	6	Saw Filt 135.54+-	0.013MHz/	5.3DB
Z905	4511151	Top	I	2	Saw Filt 824-849MHz/	3.8DB	3X3
Z906	4512143	Top	F	3	Dupl 824-849/	869-894MHz	9.5X7.5
Z907	4550141	Top	B	4	Dipl 824-894/1850-	1990MHz	3.2X1.6
T775	4550153	Top	I	4	Transf Balun 2060+-	70MHz	2.0X1.25
F100	5119019	Top	T	6	Sm Fuse F	1.5A 32V	0603
S300	5209001	Top	B	7	Sm SW Tact SPST	12V 50MA	Side Key
X900	5429021	Top	B	3	Sm Conn RF+SW	100V 1W 50R	2.2GHz
A100	9510612	Top	O	5	Baseband Shield	DMD06548	HDA62_72
A900	9517071	Top	H	5	RF Shield Assy	DMC02311	HDA62_72

RH-40 (2220) – EDMS Issue 3.0 Code: 0202139 (Manaus)

Item	Code	Side	X	Y	Description	Value	Type
R150	1620031	Top	P	7	res network	0W06 2X1K0 J	0404
R151	1430778	Top	R	7	chip res	0W06 10K J	0402
R152	1430788	Top	P	7	chip res	0W06 22K J	0402
R156	1430762	Top	S	8	chip res	0W06 2K2 J	0402
R157	1430710	Top	Q	9	chip res	0W06 22R J	0402
R200	1414605	Top	Q	8	chip res	0W25 0R22 J	0805
R201	1620103	Top	S	8	res network	0W06 2X22R J	0404
R202	1430804	Top	Q	5	chip res	0W06 100K J	0402
R203	1430087	Top	Q	5	chip res	0W06 100K J	0603
R204	1430087	Top	Q	5	chip res	0W06 100K J	0603
R205	1620019	Top	P	5	res network	0W06 2X10K J	0404
R206	1430804	Top	P	5	chip res	0W06 100K J	0402
R207	1430804	Top	P	5	chip res	0W06 100K J	0402
R300	1411669	Top	S	7	chip res	0W1 22R J	0805
R301	1413829	Top	O	5	chip res	0W1 10R J	0805
R420	1430268	Top	N	6	chip res	0W06 27K F 100PPM	0603
R427	1430778	Top	M	6	chip res	0W06 10K J	0402
R450	1430770	Top	M	4	chip res	0W06 4K7 J	0402
R709	1430700	Top	J	7	chip res	0W06 10R J	0402
R712	1430700	Top	I	8	chip res	0W06 10R J	0402
R721	1430774	Top	J	8	chip res	0W06 6K8 J	0402
R722	1430772	Top	J	8	chip res	0W06 5K6 J	0402
R723	1430764	Top	K	8	chip res	0W06 3K3 J	0402
R724	1430691	Top	I	7	chip res	0W06 2R2 J	0402
R741	1430770	Top	J	8	chip res	0W06 4K7 J	0402
R742	1430772	Top	I	8	chip res	0W06 5K6 J	0402
R743	1430764	Top	I	8	chip res	0W06 3K3 J	0402
R744	1430744	Top	H	8	chip res	0W06 470R J	0402
R745	1430700	Top	G	8	chip res	0W06 10R J	0402
R771	1430786	Top	L	4	chip res	0W06 18K J	0402
R772	1430726	Top	L	5	chip res	0W06 100R J	0402

Item	Code	Side	X	Y	Description	Value	Type
R773	1430700	Top	L	5	chip res	0W06 10R J	0402
R774	1430700	Top	J	6	chip res	0W06 10R J	0402
R791	1430778	Top	L	7	chip res	0W06 10K J	0402
R792	1430700	Top	K	7	chip res	0W06 10R J	0402
R818	1430268	Top	H	5	chip res	0W06 27K F 100PPM	0603
R830	1430832	Top	L	6	chip res	0W06 2K7 J	0402
R831	1430734	Top	I	6	chip res	0W06 220R J	0402
R900	1430718	Top	G	6	chip res	0W06 47R J	0402
R901	1430169	Top	I	3	chip res	0W06 56R J	0603
C101	2320536	Top	Q	6	chip cap NPO	10P J 50V	0402
C102	2320756	Top	T	6	chip cap X7R	3N3 K 50V	0402
C103	2320756	Top	T	5	chip cap X7R	3N3 K 50V	0402
C104	2320756	Top	T	5	chip cap X7R	3N3 K 50V	0402
C105	2320756	Top	T	4	chip cap X7R	3N3 K 50V	0402
C106	2320744	Top	S	6	chip cap X7R	1N0 K 50V	0402
C150	2312243	Top	S	8	chip cap X5R	4U7 K 6V3	0805
C151	2320783	Top	S	8	chip cap X7R	33N K 10V	0402
C152	2320783	Top	R	8	chip cap X7R	33N K 10V	0402
C155	2320783	Top	Q	7	chip cap X7R	33N K 10V	0402
C156	2320783	Top	Q	7	chip cap X7R	33N K 10V	0402
C157	2320560	Top	P	7	chip cap NPO	100P J 50V	0402
C159	2320560	Top	P	7	chip cap NPO	100P J 50V	0402
C160	2320744	Top	Q	7	chip cap X7R	1N0 K 50V	0402
C161	2320481	Top	Q	7	chip cap X5R	1U K 6V3	0603
C201	2320481	Top	N	8	chip cap X5R	1U K 6V3	0603
C202	2320548	Top	R	8	chip cap NPO	33P J 50V	0402
C203	2320536	Top	Q	9	chip cap NPO	10P J 50V	0402
C204	2320536	Top	Q	7	chip cap NPO	10P J 50V	0402
C205	2320481	Top	O	8	chip cap X5R	1U K 6V3	0603
C206	2320481	Top	P	8	chip cap X5R	1U K 6V3	0603
C207	2320481	Top	Q	6	chip cap X5R	1U K 6V3	0603
C208	2320481	Top	M	8	chip cap X5R	1U K 6V3	0603

Item	Code	Side	X	Y	Description	Value	Type
C211	2320481	Top	P	8	chip cap X5R	1U K 6V3	0603
C212	2320481	Top	P	8	chip cap X5R	1U K 6V3	0603
C213	2320481	Top	O	8	chip cap X5R	1U K 6V3	0603
C215	2320481	Top	Q	6	chip cap X5R	1U K 6V3	0603
C217	2320778	Top	P	5	chip cap X7R	10N K 16V	0402
C218	2320805	Top	O	5	chip cap X5R	100N K 10V	0402
C219	2320139	Top	N	8	chip cap X5R	1U0 K 10V	0603
C220	2320744	Top	P	5	chip cap X7R	1N0 K 50V	0402
C221	2320481	Top	M	8	chip cap X5R	1U K 6V3	0603
C222	2320481	Top	M	8	chip cap X5R	1U K 6V3	0603
C223	2320481	Top	N	7	chip cap X5R	1U K 6V3	0603
C224	2320481	Top	M	7	chip cap X5R	1U K 6V3	0603
C225	2320481	Top	M	8	chip cap X5R	1U K 6V3	0603
C226	2320481	Top	M	6	chip cap X5R	1U K 6V3	0603
C228	2320481	Top	N	6	chip cap X5R	1U K 6V3	0603
C229	2320481	Top	N	6	chip cap X5R	1U K 6V3	0603
C230	2320778	Top	P	5	chip cap X7R	10N K 16V	0402
C231	2320481	Top	N	6	chip cap X5R	1U K 6V3	0603
C232	2320481	Top	N	7	chip cap X5R	1U K 6V3	0603
C233	2320481	Top	M	8	chip cap X5R	1U K 6V3	0603
C234	2320481	Top	N	7	chip cap X5R	1U K 6V3	0603
C235	2320805	Top	Q	6	chip cap X5R	100N K 10V	0402
C236	2320805	Top	N	5	chip cap X5R	100N K 10V	0402
C237	2320805	Top	N	5	chip cap X5R	100N K 10V	0402
C238	2320491	Top	N	8	chip cap X7R	220N K 10V	0603
C239	2320805	Top	O	5	chip cap X5R	100N K 10V	0402
C241	2320544	Top	Q	7	chip cap NPO	22P J 50V	0402
C242	2320544	Top	Q	7	chip cap NPO	22P J 50V	0402
C245	2320481	Top	M	7	chip cap X5R	1U K 6V3	0603
C261	2312243	Top	M	8	chip cap X5R	4U7 K 6V3	0805
C262	2312243	Top	O	8	chip cap X5R	4U7 K 6V3	0805
C264	2320481	Top	Q	6	chip cap X5R	1U K 6V3	0603

Item	Code	Side	X	Y	Description	Value	Type
C302	2320779	Top	C	3	chip cap X7R	100N K 16V	0603
C303	2320805	Top	D	3	chip cap X5R	100N K 10V	0402
C304	2320805	Top	C	3	chip cap X5R	100N K 10V	0402
C306	2320560	Top	U	8	chip cap NPO	100P J 50V	0402
C400	2320778	Top	P	4	chip cap X7R	10N K 16V	0402
C401	2320805	Top	Q	4	chip cap X5R	100N K 10V	0402
C402	2320778	Top	O	4	chip cap X7R	10N K 16V	0402
C403	2320778	Top	O	4	chip cap X7R	10N K 16V	0402
C404	2320778	Top	P	4	chip cap X7R	10N K 16V	0402
C405	2320778	Top	N	4	chip cap X7R	10N K 16V	0402
C420	2320744	Top	N	4	chip cap X7R	1N0 K 50V	0402
C450	2320778	Top	N	4	chip cap X7R	10N K 16V	0402
C451	2320805	Top	N	4	chip cap X5R	100N K 10V	0402
C454	2320779	Top	M	4	chip cap X7R	100N K 16V	0603
C700	2320552	Top	G	6	chip cap NPO	47P J 50V	0402
C701	2320536	Top	G	6	chip cap NPO	10P J 50V	0402
C702	2320805	Top	G	6	chip cap X5R	100N K 10V	0402
C703	2320536	Top	G	6	chip cap NPO	10P J 50V	0402
C704	2320805	Top	G	6	chip cap X5R	100N K 10V	0402
C706	2320552	Top	I	7	chip cap NPO	47P J 50V	0402
C707	2320744	Top	I	7	chip cap X7R	1N0 K 50V	0402
C708	2320481	Top	J	7	chip cap X5R	1U K 6V3	0603
C710	2320740	Top	I	7	chip cap X7R	680P K 50V	0402
C711	2320481	Top	H	7	chip cap X5R	1U K 6V3	0603
C712	2320552	Top	I	7	chip cap NPO	47P J 50V	0402
C720	2320588	Top	J	8	chip cap X7R	1N5 J 50V	0402
C721	2320783	Top	J	8	chip cap X7R	33N K 10V	0402
C722	2320588	Top	K	8	chip cap X7R	1N5 J 50V	0402
C723	2320522	Top	K	7	chip cap NPO	2P7 C 50V	0402
C724	2320548	Top	J	7	chip cap NPO	33P J 50V	0402
C725	2320520	Top	J	7	chip cap NPO	2P2 C 50V	0402
C726	2320744	Top	J	8	chip cap X7R	1N0 K 50V	0402

Item	Code	Side	X	Y	Description	Value	Type
C740	2320590	Top	J	8	chip cap X7R	1N8 J 50V	0402
C741	2320783	Top	J	8	chip cap X7R	33N K 10V	0402
C742	2320588	Top	I	8	chip cap X7R	1N5 J 50V	0402
C745	2320548	Top	I	8	chip cap NPO	33P J 50V	0402
C747	2320536	Top	I	8	chip cap NPO	10P J 50V	0402
C748	2320538	Top	H	8	chip cap NPO	12P J 50V	0402
C749	2320744	Top	H	8	chip cap X7R	1N0 K 50V	0402
C750	2320514	Top	H	8	chip cap NPO	1P2 C 50V	0402
C751	2320520	Top	H	8	chip cap NPO	2P2 C 50V	0402
C752	2320740	Top	H	8	chip cap X7R	680P K 50V	0402
C753	2320481	Top	G	8	chip cap X5R	1U K 6V3	0603
C770	2320580	Top	L	4	chip cap X7R	680P J 50V	0402
C771	2480003	Top	L	4	chip cap PPS	8N2 J 16V	0805
C772	2320495	Top	L	5	chip cap NPO	1N0 J 50V	0603
C773	2320466	Top	L	5	chip cap NPO	220P J 60V	0603
C774	2320536	Top	I	5	chip cap NPO	10P J 50V	0402
C775	2320481	Top	J	5	chip cap X5R	1U K 6V3	0603
C776	2320778	Top	J	5	chip cap X7R	10N K 16V	0402
C791	2320805	Top	L	7	chip cap X5R	100N K 10V	0402
C792	2320778	Top	K	7	chip cap X7R	10N K 16V	0402
C793	2320481	Top	K	7	chip cap X5R	1U K 6V3	0603
C801	2320552	Top	H	5	chip cap NPO	47P J 50V	0402
C802	2320778	Top	H	5	chip cap X7R	10N K 16V	0402
C803	2320536	Top	H	5	chip cap NPO	10P J 50V	0402
C806	2320552	Top	I	6	chip cap NPO	47P J 50V	0402
C807	2320536	Top	I	6	chip cap NPO	10P J 50V	0402
C808	2320805	Top	J	7	chip cap X5R	100N K 10V	0402
C820	2320552	Top	I	5	chip cap NPO	47P J 50V	0402
C821	2320552	Top	I	5	chip cap NPO	47P J 50V	0402
C822	2320805	Top	I	5	chip cap X5R	100N K 10V	0402
C830	2320778	Top	L	6	chip cap X7R	10N K 16V	0402
C831	2320602	Top	L	6	chip cap NPO	4P7 C 50V	0402

Item	Code	Side	X	Y	Description	Value	Type
C832	2320602	Top	L	6	chip cap NPO	4P7 C 50V	0402
C833	2320536	Top	I	6	chip cap NPO	10P J 50V	0402
C834	2320536	Top	J	6	chip cap NPO	10P J 50V	0402
C900	2320744	Top	G	6	chip cap X7R	1N0 K 50V	0402
C901	2320631	Top	J	2	chip cap NPO	180P J 25V	0402
C902	2320744	Top	G	2	chip cap X7R	1N0 K 50V	0402
C903	2320631	Top	G	2	chip cap NPO	180P J 25V	0402
C904	2320005	Top	K	2	chip cap NPO HQ	82P J 25V	0603
C905	2320546	Top	K	2	chip cap NPO	27P J 50V	0402
C906	2320546	Top	K	2	chip cap NPO	27P J 50V	0402
C907	2320536	Top	J	3	chip cap NPO	10P J 50V	0402
C908	2320744	Top	J	3	chip cap X7R	1N0 K 50V	0402
C910	2320744	Top	G	2	chip cap X7R	1N0 K 50V	0402
C911	2320778	Top	I	2	chip cap X7R	10N K 16V	0402
C912	2320481	Top	G	3	chip cap X5R	1U K 6V3	0603
C914	2320481	Top	I	3	chip cap X5R	1U K 6V3	0603
C915	2320536	Top	G	6	chip cap NPO	10P J 50V	0402
C916	2320805	Top	G	6	chip cap X5R	100N K 10V	0402
C918	2320744	Top	K	3	chip cap X7R	1N0 K 50V	0402
C921	2320744	Top	J	2	chip cap X7R	1N0 K 50V	0402
C930	2320536	Top	F	5	chip cap NPO	10P J 50V	0402
C931	2320744	Top	F	4	chip cap X7R	1N0 K 50V	0402
L100	3203743	Top	T	6	ferrite bead 0R03	42R/100MHz 3A	0805
L160	3203741	Top	T	6	ferrite bead 0R5	600R/100MHz	0603
L161	3203741	Top	T	5	ferrite bead 0R5	600R/100MHz	0603
L162	3203741	Top	T	5	ferrite bead 0R5	600R/100MHz	0603
L163	3203741	Top	T	5	ferrite bead 0R5	600R/100MHz	0603
L164	3203741	Top	U	3	ferrite bead 0R5	600R/100MHz	0603
L730	3545333	Top	J	8	chip coil 27N G	Q40/250MHz	0603
L746	3645331	Top	I	8	chip coil 47N G	Q38/200MHz	0603
L750	3645145	Top	H	8	chip coil 39N J	Q12/100MHz	0603
L751	3645145	Top	H	8	chip coil 39N J	Q12/100MHz	0603

Item	Code	Side	X	Y	Description	Value	Type
L820	3645211	Top	I	5	chip coil 6N8 K	Q27/250MHz	0603
L821	3646069	Top	I	5	chip coil 33N J	Q23/800MHz	0402
L822	3646063	Top	I	5	chip coil 22N J	Q28/800MHz	0402
L823	3646007	Top	H	5	chip coil 27N J	Q27/800MHz	0402
L830	3643087	Top	L	6	chip coil 180N J	Q13/50MHz	0805
L831	3643087	Top	L	6	chip coil 180N J	Q13/50MHz	0805
L832	3645067	Top	J	6	chip coil 330N J	Q48/250MHz	0805
L900	3646065	Top	K	3	chip coil 12N J	Q31/800MHz	0402
L901	3646083	Top	K	2	chip coil 100N J	Q16/300MHz	0402
L902	3646061	Top	J	3	chip coil 15N J	Q30/800MHz	0402
L903	3643085	Top	I	3	chip coil 5N6+-0N5	Q35 1.5A	0805
V100	4110028	Top	S	6	TVS DI 16V	600W 23A	DO214AA
V300	4860221	Top	J	9	LED LB M47C Blue	45-90MCD	@20MA
V301	4860221	Top	H	9	LED LB M47C Blue	45-90MCD	@20MA
V302	4860221	Top	J	2	LED LB M47C Blue	45-90MCD	@20MA
V303	4860221	Top	H	2	LED LB M47C Blue	45-90MCD	@20MA
V304	4860221	Top	M	4	LED LB M47C Blue	45-90MCD	@20MA
V305	4860221	Top	R	7	LED LB M47C Blue	45-90MCD	@20MA
V306	4860221	Top	T	4	LED LB M47C Blue	45-90MCD	@20MA
V307	4860221	Top	T	6	LED LB M47C Blue	45-90MCD	@20MA
V308	4860221	Top	P	4	LED LB M47C Blue	45-90MCD	@20MA
V309	4860221	Top	M	6	LED LB M47C Blue	45-90MCD	@20MA
V725	4110953	Top	J	7	Cap DI 15V280	C2V/C10V=2.4	SOD523
V744	4110911	Top	I	8	Cap DI MA2SV01	15/7PF 1/3V	SOD523
N750	4210247	Top	I	8	RF Cascode AMP	BGA416 LNA	SOT143
N801	4370777	Top	H	6	Safari_T2 A807HEGT	BICMOS6M	LFBGA
N900	4341179	Top	K	3	Upconv 900MHz	(0M5968)	TSSOP10
N901	4350361	Top	H	3	Pw Amp	MC-7951	TDMA800
N930	4350267	Top	F	4	Pwr Detector Module	800/1900MHz	
D200	4370841	Top	O	7	UEM V6.0 W-DOG ENA	TO09L	TFBGA168
D400	4370811	Top	P	3	UPP4M V2.4 F741809C	C05 ANAM	UBG
D450	4341439	Top	N	3	Flash 1MX16	1.8V/1.8V	TFGBA48

Item	Code	Side	X	Y	Description	Value	Type
G780	4350279	Top	K	5	VCO 2GHz	2.78V 10.5MA	TDMA
G790	4510307	Top	K	8	VCTCXO 19.44MHz+-	2.5PPM 2.78V	
B200	4510303	Top	Q	8	Crystal 32.768KHz+-	20PPM 12.5PF	
Z301	4120031	Top	U	2	EMI/ESD Filt	EMIF10-1K010F1	BGA24
Z820	4511217	Top	H	4	Saw Filt 881.5+-12.5MHz/	3.5DB	3X3
Z830	4511209	Top	K	6	Saw Filt 135.54+-	0.013MHz/	5.3DB
Z905	4511151	Top	I	2	Saw Filt 824-849MHz/	3.8DB	3X3
Z906	4512143	Top	F	3	Dupl 824-849/	869-894MHz	9.5X7.5
Z907	4550141	Top	B	4	Dipl 824-894/1850-	1990MHz	3.2X1.6
T775	4550153	Top	I	4	Transf Balun 2060+-	70MHz	2.0X1.25
F100	5119019	Top	T	6	Sm Fuse F	1.5A 32V	0603
S300	5209001	Top	B	7	Sm SW Tact SPST	12V 50MA	Side Key
X900	5429021	Top	B	3	Sm Conn RF+SW	100V 1W 50R	2.2GHz
A100	9510612	Top	O	5	Baseband Shield	DMD06548	HDA62_72
A900	9517071	Top	H	5	RF Shield Assy	DMC02311	HDA62_72